

# JS 6-350 Q11

Qmax 310 m<sup>3</sup>/h - 5166 l/min (1365 USgpm) - Hmax 44 m (144 ft)

Code 4810062184



Indicative picture of the product

## Self-priming centrifugal bare shaft pump

### Characteristics

The J series self-priming centrifugal pumps are used in applications where a rapid priming capacity is required from demanding suction heights combined with the ability to transfer and manage polluted fluids, dirty and abrasives with suspended large diameter solids. The system is based on an inspectable pump casing which also acts as a water tank allowing a first quick priming without auxiliary systems, simplifying management of the system and reducing the time for maintenance. Within the physically permitted suction height limits, J pumps are a more comfortable and reliable solution than submersible pumps and vertical submersed impeller pumps.

### Applications

**Industry:**

clean, dirty, sandy, muddy, neutral, alkaline, acidic liquids; low viscous petroleum products, solvents even if dirty; milk of lime, caustic soda; washing, cooling, recirculation, smoke scrubbing.

**Treatment:**

pumping polluted corrosive wastewater containing sand, mud or solids in suspension; dosing neutralizing liquids; pumping out settled sludge.

**Naval:**

loading and unloading; bilge pumping; washing, fire-fighting, stripping, sanitary duty and circulation.

**Agriculture:**

surface irrigation; liquid manure oxygenation; transfer and spraying liquid manure or fertilizers; distribution of liquid animal feed; transfer of wine must; washing.

### Product Data

Suction port

**Flanged - DN150 DI 1882 TL (solder)**

Delivery port

**Flanged - DN150 DI 1882 TL (solder)**

Qmax

**310 m<sup>3</sup>/h - 5166 l/min (1365 USgpm)**

Hmax

**44 m (144 ft)**

Solids handling

**37 mm (1,46")**

Weight

**280 kg (617 lb)**

EX version



Pump with dedicated code, including thermowell predisposition for temperature sensor and glass oiler for mechanical seal quench fluid, according to **ATEX 2014/34/EU**.

### Benefits

**1) Rapid self-priming**

Without foot valve up to a height of 7.5 m (24.5 ft)

**2) High resistance**

To abrasive liquids which are turbid and sandy

**3) Semi-open impeller**

High thickness casting impact resistant

**4) Wear plate/plates**

Easily replaceable bronze wear plate/plates

**5) Easy inspection and cleaning**

Removable front covers for access to the impeller

# JS 6-350 Q11



## PERFORMANCE CURVES

Test according to **UNI EN ISO 9906 standard - level 2B**

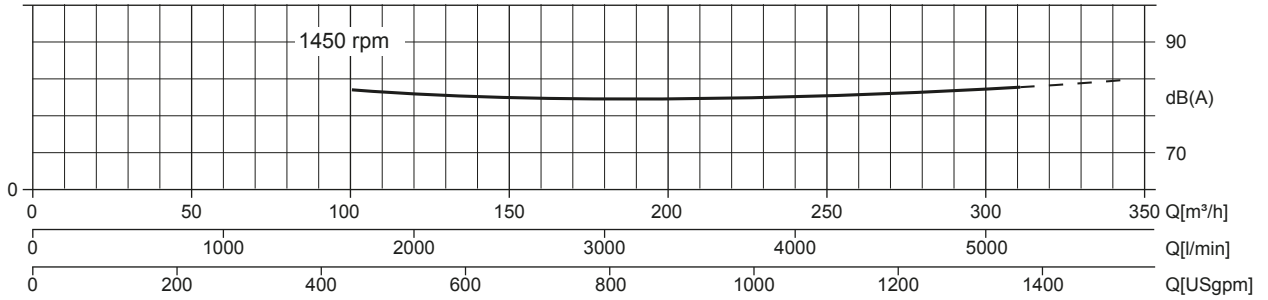
Max. applicable motor power: **45 kW - 60 HP (max 1.600 rpm)**

Test liquid: **clean water, density 1.000 kg/m<sup>3</sup>**

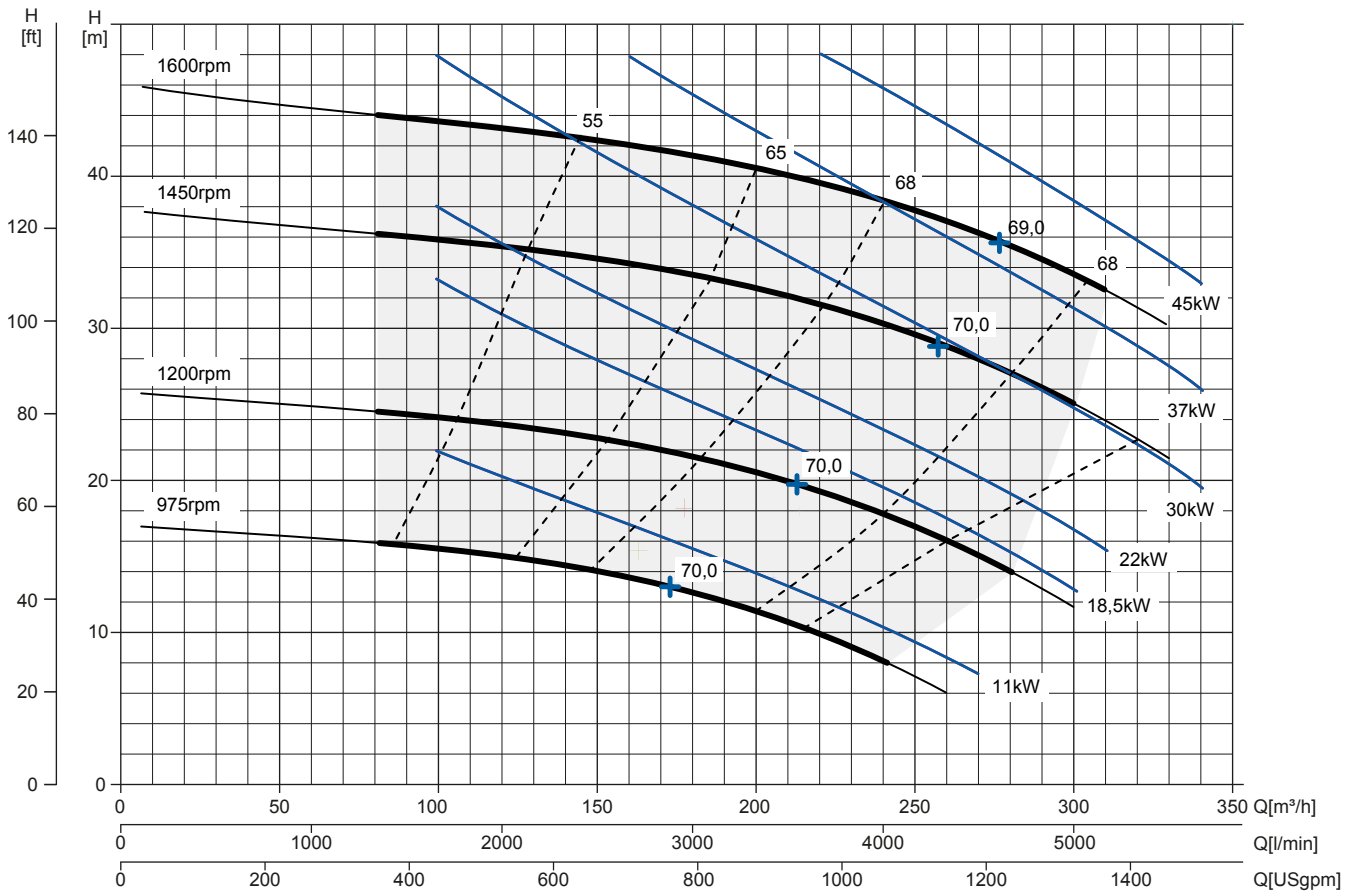
Spherical solids handling: **D.37 mm (1,46")**

### Noise Curve

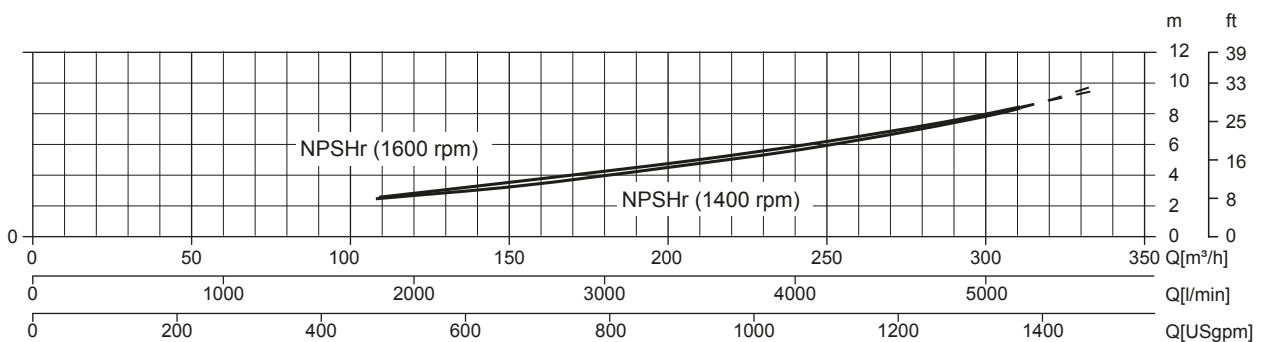
dB(A)=max noise level at 1 m



### Multiple Speed Curve



### NPSHr Curve



Specification is subject to change without prior notice. Please check with your Varisco representative for the latest specifications.

Document release date: April 24<sup>th</sup> 2024

# JS 6-350 Q11

## TECHNICAL DATA

### Pump

Pump model	JS 6-350 Q11
Qmax [1.600 rpm]	310 m <sup>3</sup> /h - 5166 l/min (1365 USgpm)
Hmax [1.600 rpm]	44 m (144 ft)
Suction port	Flanged - DN150 DI 1882 TL (solder)
Delivery port	Flanged - DN150 DI 1882 TL (solder)
Impeller type	Semi-open, 4 vanes
Solids handling	37 mm (1,46")
Casing	EN 1561 EN-GJL-200 cast iron + zinc anodes
Impeller	G-CuAl10Fe5Ni5 EN 1982 bronze
Wear plate	G-CuSn5Zn5Pb5 EN 1982 bronze
Non-return valve	check-valve, FKM
Shaft	AISI 630 stainless steel
Mechanical seal	Tungsten carbide / Tungsten carbide
Elastomers	FKM
Lubrication	Grease
Bearing bracket	EN 1561 EN-GJL-200 cast iron, with grease lubricated ball bearings

### Arrangement

Model	Bare shaft
Dimensions (L x W x H)*	895 x 578 x 684 mm (35,2 x 22,8 x 27")
Coating	Polyurethane enamel, average thickness of 100 µm
Color	RAL 5010 blue (standard)
Height connection	0,51 m (1,7 ft)

\*without flanged ports

### Optionals

Flanged ports DN150 PN16 EN1092-2 Type B	Complete pump set code available on request
Flanged ports 6" ANSI B16.1 Class 125 R.F.	Complete pump set code available on request
Automatic mechanical seal greaser	Code: 10008316
Thermocouple temperature sensor for ATEX pump	TC - Range temperature from 0 up to 300°C
Temperature sensors for ATEX pump	PT100 - Range temperature from 0 up to 300°C

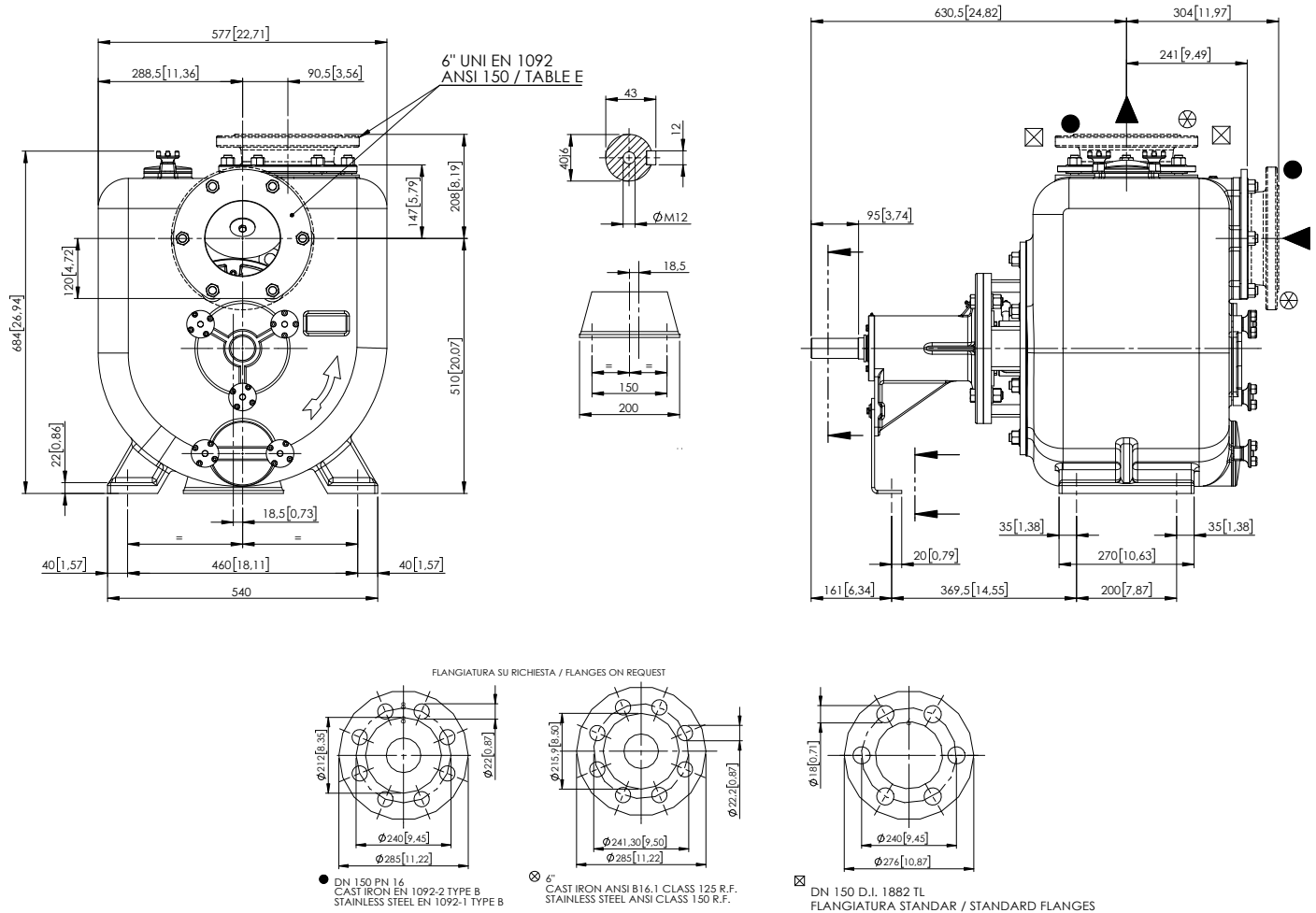
### Weight

Net weight	280 kg (617 lb)
Gross weight (pump + packing)	300 kg (661 lb)

# JS 6-350 Q11

## DIMENSIONS

mm [in]



## PACKAGING DIMENSIONS

### Dimensions

JS 6-350 Q11 (L x W x H)

1000 x 800 x 830 mm

Gross weight (pump + packing)

300 kg (661 lb)

